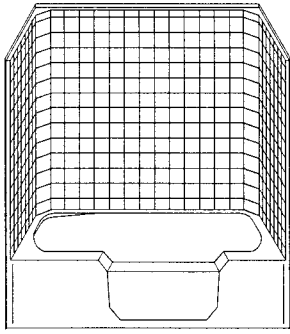
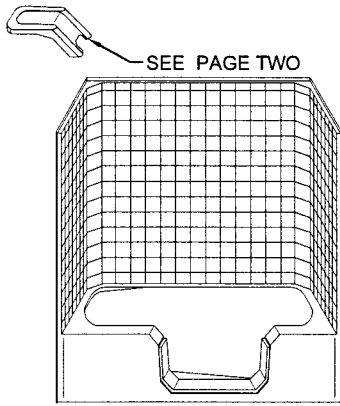


MODEL: CTSRD6032B18

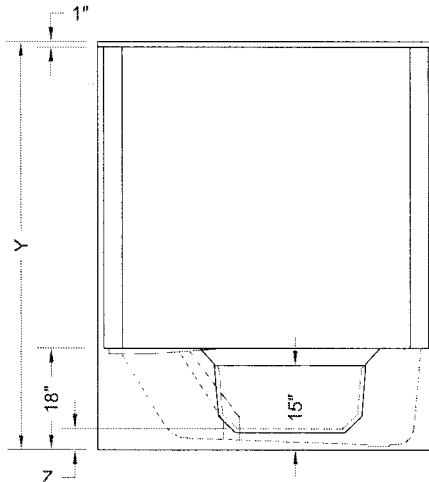
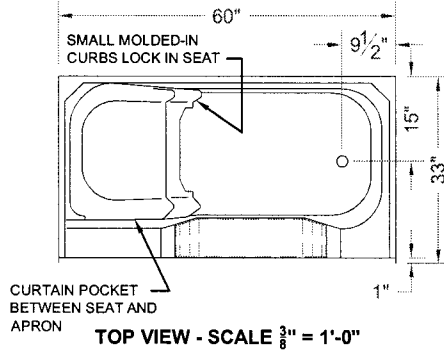
ALL ACCESSORIES OPTIONAL



PERSPECTIVE VIEW - N.T.S.
BATH TUB CONVERTS TO:



PERSPECTIVE VIEW - N.T.S.
SEAT SHOWER



Features:

- Gelcoat/fiberglass bathtub of "Barrier Free" design has part of the apron at seat height and a 15" step-over with minimal offset between tub bottom and bathroom floor
- The apron is removable (by cutting through the silicone sealant) so as to convert to a shower
- Apron maybe re-installed watertight by re-sealing the inside joint with silicone sealant

	UNIT HEIGHT	THRESHOLD HEIGHT
MODEL #	Y	Z*
CTSRD6032B18	72"	3-3/4 MIN.
-	W / APRON	15" MAX.

PRODUCT SPECIFICATIONS:

- One piece Tub module shall be constructed of gelcoat/fiberglass with full integral plywood backing
- Rough-in: Stud opening + 1/4"-0" Nominal Dimensions.

C.S.I. FORMAT SPECIFICATION TEXT AVAILABLE

PRODUCT INFORMATION:

- Accessories: Factory installed, unless prone to damage during installation/shipping. Polished chrome/satin stainless standard, others available.
- Colors: White as standard, others to match any major fixture manufacturer, also available with sprayable solid surface in many colors

ACCESSORIES:

INSTALLED BY OTHERS:

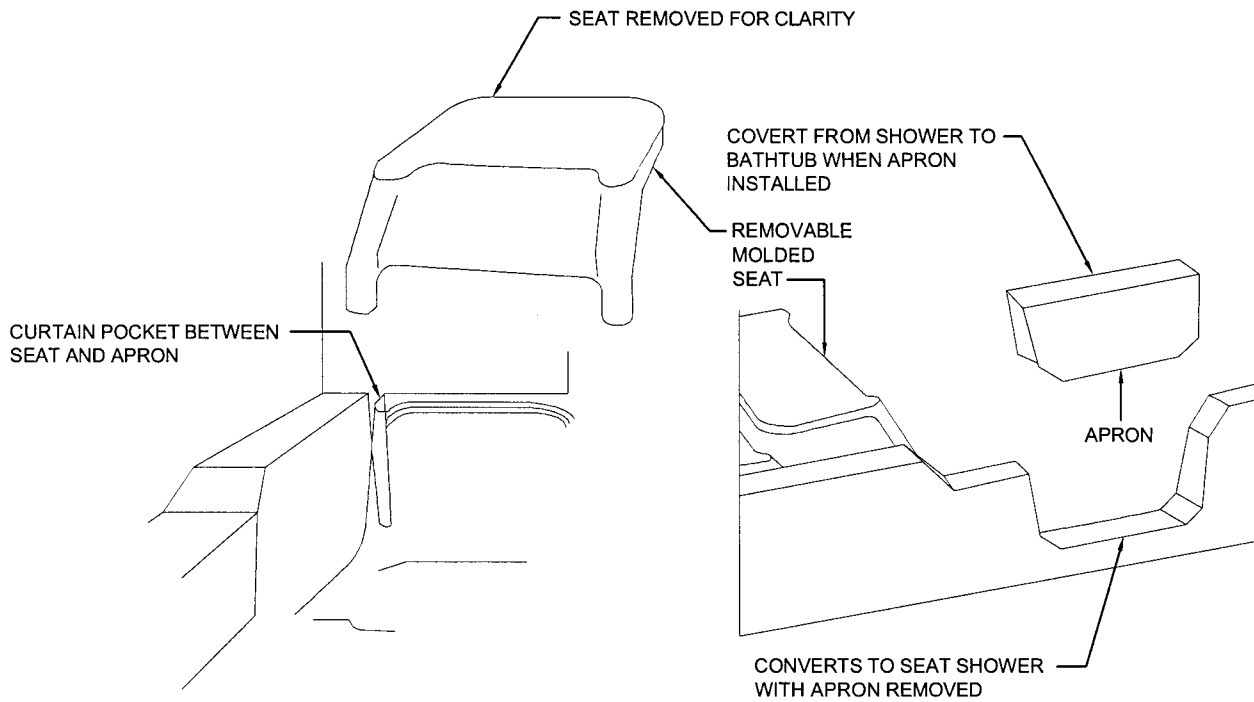
- Grab bar
- Mixing valve, pressure balanced, lever handle, preplumbed tree to supply elbow
- Soap dish
- Curtain and rod
- Removable molded seat
- Hand shower

CODES:

Designed and manufactured in compliance with the following standards and codes:
-A.N.S.I. Z1241.2 Standards for Plastic showers and tubs

NOTICE OF LIMITATION:

- Tub drain may not meet code for shower configuration



SEAT AND APRON LAYOUT DETAIL