

Installation Instructions for Commode Rails

Part List: (2) Rails, (1) Commode Pan, (4) 1/4"x20x1/2" Socket Button Cap Screws

There are two installation options. Either you can set up the rails so that the commode pan slides front to back, see figure 1, or you can install the rails so the commode pan slides side to side, see figure 2. Determine which direction you want the pan to slide and start by screwing, with the 5/32" Allen Wrench that was provided with your chair, the 4 screws about half way into the threaded holes near the leg holes. Each rail has two key hole slots that slide under the 4 screw heads. Then tighten the 4 screws. Make sure that the rail channels are facing inward. The edges/lips on the commode pan slides between these channels.

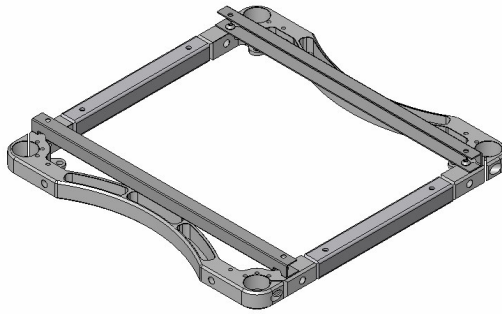


Figure 1: Front to Back Orientation

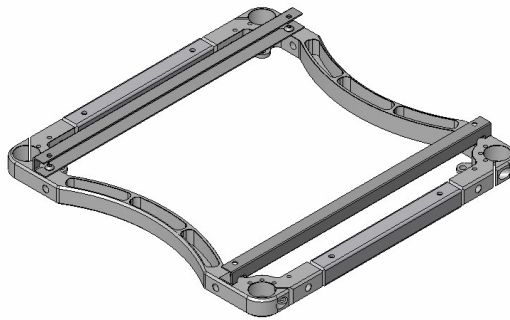


Figure 2: Side to Side Orientation