

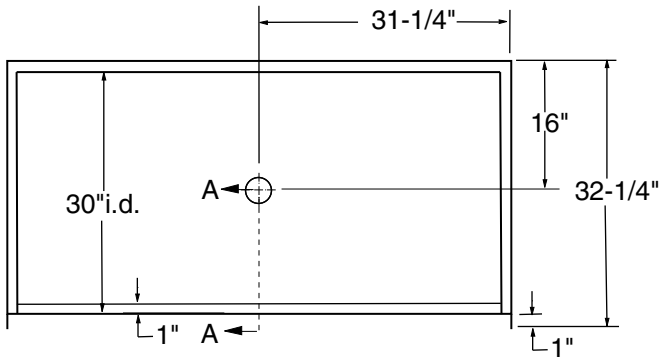
P6331A75B



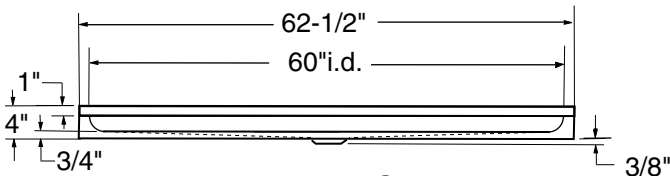
ADA COMPLIANT

DESCRIPTION

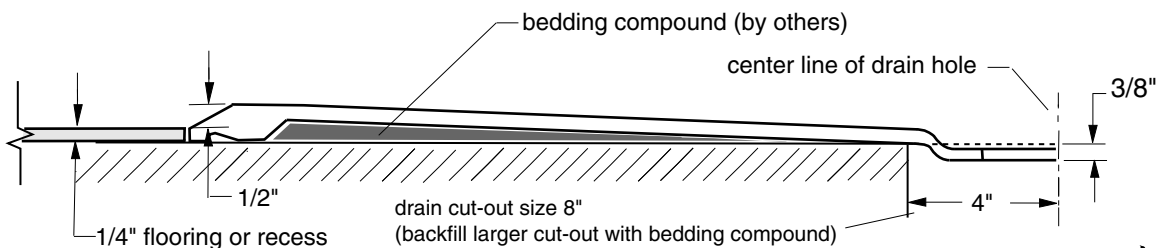
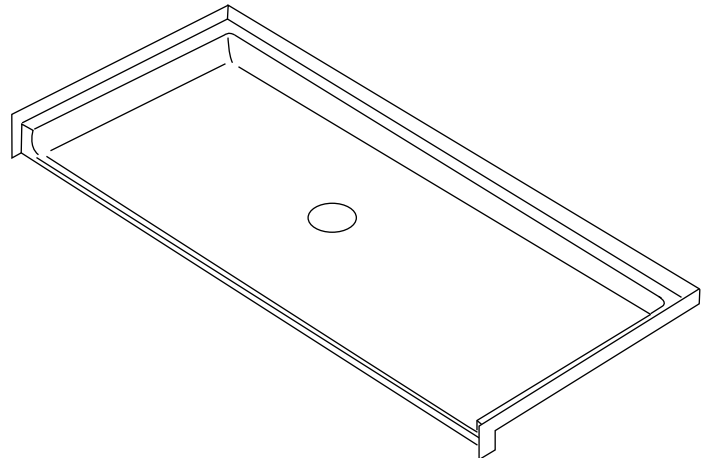
- Fiberglass showerpan
- Complies with ADA minimum inside dimensions of 60"x30" for roll-in showers
- 3/4" threshold design
- Luxurious polyester Gelcoat finish in solid colors and available Sprayable Solid Surface
- Accessories available: shower valve, matching soap dish, glide bar/hand shower, curtain and rod



PLAN



ELEVATION



SECTION A-A

Access

BARRIER FREE ARCHITECTURALS™ 877 717 7027.	TITLE : Roll-in Shower, smoothwall, ADA compliant MODEL :	SCALE : 1/2"=1'0" SHT.
---	--	---------------------------