

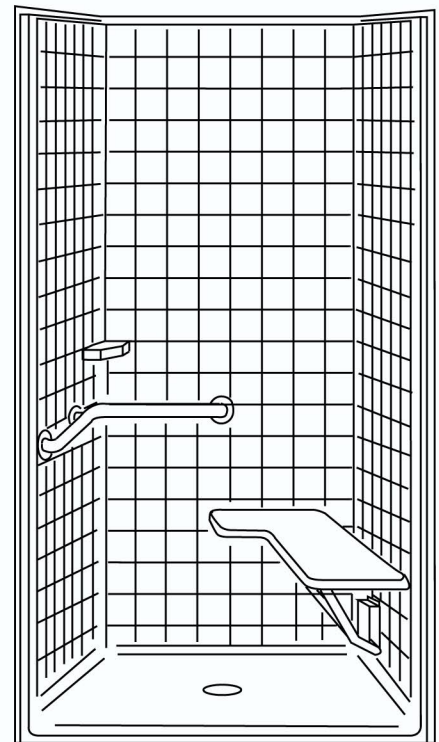
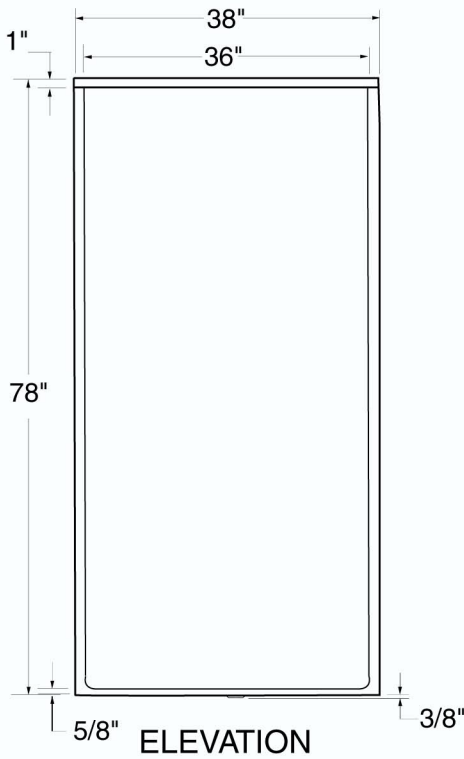
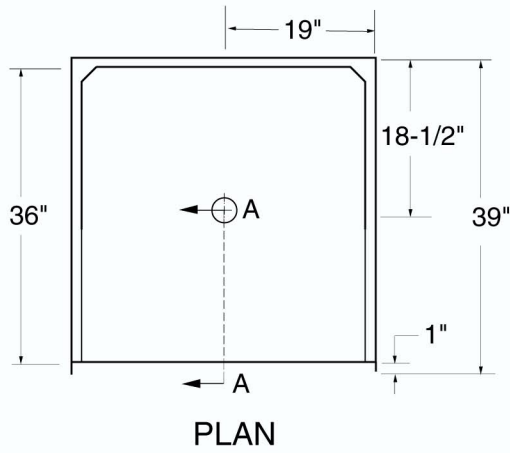
LCS3838A5T



ADA COMPLIANT

DESCRIPTION

- One piece fiberglass showerstall
- Complies with ADA inside dimensions of 36"x36" for transfer showers
- 1/2" threshold design allows for installation on top of a floor, eliminating the need for recessing
- 1/2" Tri-cell laminate core for wall stiffness
- Plywood backing for seat and grab bars
- Seat and grab bar as shown must be installed to meet ADA
- "Classic Tile" look finish
- Luxurious polyester Gelcoat finish in solid colors and available Sprayable Solid Surface
- Accessories available: shower valve, matching soap dish, glide bar/hand shower, curtain and rod



Shown here as Left hand model with optional fold-down seat, corner grab bar, and soap dish.

