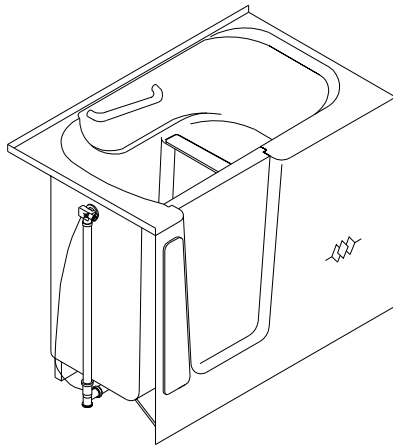


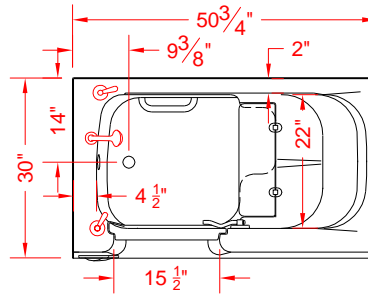
MODEL: XTOW5030 L/R

ESCAPE PLUS

ACCESSORIES OPTIONAL



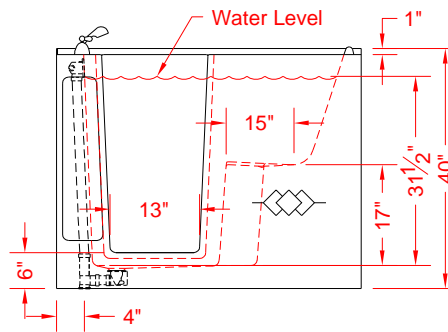
PERSPECTIVE VIEW - N.T.S.
MODEL SHOWN HERE AS:
 LEFT HAND



TOP VIEW - SCALE $\frac{3}{8}'' = 1'-0''$

Features:

- Innovative door handle designed for easy operation
- Reliable door seal with a lifetime warranty
- Seat height is designed for ease of sitting and standing
- Designed to fit in the space of your current bathtub
- Allows you the freedom to rehab at home
- Extra deep for a full body soak
- Largest door opening available
- Swing up seat for easy entry



FRONT ELEVATION - SCALE: $\frac{3}{8}'' = 1'-0''$

PRODUCT SPECIFICATIONS:

-Walk-in bathtub with pressure sealed door shall be of gelcoat / fiberglass construction and have an integral front skirt, magnetically attached access panels for plumbing.

C.S.I. FORMAT SPECIFICATION TEXT AVAILABLE

PRODUCT INFORMATION:

- Accessories: Factory installed Tub Bar, all others installed by others
- Colors: White as standard, Almond optional
- Also available with sprayable solid surface in many colors
- Fill volume with a 170 lbs. bather: 76 gallons
- Tub weight, dry, approx. 152 lbs.
- Total weight of tub, bather, and water: approx. 953 lbs.

Door opening:
 Top: 15 1/2"
 Bottom: 13"

ACCESSORIES:

STANDARD:

- Tub bar
- Cable operated tub drain

OPTIONAL:

- Roman tub filler
- Hand shower
- Thermostatic mixing valve

CODES:

Designed and manufactured in compliance with the following standards and codes:

- I.A.P.M.O. / A.N.S.I. Z124.1.2-2005 Plastic Bathtubs and Showers
- A.S.M.E. A112.19.15-2001 Bathtubs / Whirlpool Bathtubs with pressure sealed doors